

Mezzachimera



IP20

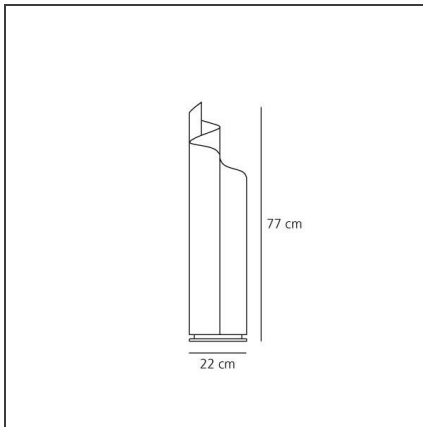
DESIGN BY

Vico Magistretti

DESCRIPTION

Base in painted metal; structure/diffuser in heatcurved opal methacrylate.

TECHNICAL DRAWINGS



FEATURES

Article Code:	0055010A	Material:	Methacrylate, aluminium
Colour:	White	Series:	Design
Installation:	Table	Emission:	Diffused And Filtered
Environment:	Indoor		

DIMENSIONS

Height:	cm 77	Impact Resistance:	N.D.
		Glow Wire Test:	N.D.

NOT INCLUDED SOURCES

Category:	HALO	Color Rendering:	1a
Number:	3		
Watt:	46W		
Lbs:	Qt32		
Socket:	E27		
Duration (h):	2000h		

ALTERNATIVE SOURCES

Category:	LED
Number:	3
Watt:	9W
Delivered lumens output (lm):	806lm
Type:	2
Socket:	E27
Class:	A

LUMINAIRE

Watt:	180W	Delivered lumens output (lm):	2130lm
Voltage:	220V-240V	CCT:	2700K